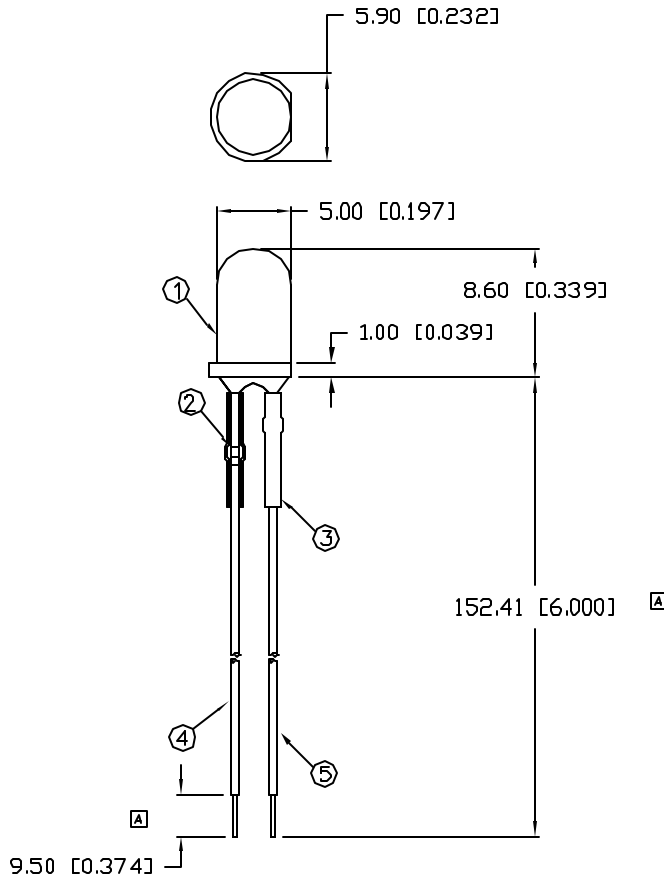


UNCONTROLLED DOCUMENT

PART NUMBER
SSI-LX5093GD-150

REV.
A

REV.	E.C.N. NUMBER AND REVISION COMMENTS	DATE
A	E.C.N. #11178.	10.12.04



ELECTRO-OPTICAL CHARACTERISTICS TA=25 CI _F =20mA					
PARAMETER	MIN	TYP	MAX	UNITS	TEST COND
PEAK WAVELENGTH		565 (GREEN)		nm	
□ FORWARD VOLTAGE		2.2	2.6	V _f	
REVERSE VOLTAGE	5.0			V _r	I _r =100uA
□ AXIAL INTENSITY		30.0		mcd	I _f =20mA
□ VIEWING ANGLE		60		2x theta	
EMITTED COLOR	GREEN				
EPOXY LENS FINISH	GREEN DIFFUSED				

LIMITS OF SAFE OPERATION AT 25 DEG. C		
PARAMETER	MAX	UNITS
□ PEAK FORWARD CURRENT*	150	mA
□ STEADY CURRENT	25	mA
□ POWER DISSIPATION	105	mW
DERATE FROM 25° C	-1.2	mW/°C
□ OPERATING, STORAGE TEMP.	-40 TO 85	°C
LEAD SOLDERING TEMP.	+260	°C
1.6mm FROM BODY		5 SEC. MAX

* t<10uS

□ NOTES:

1. SSL-LX5093GD LED, TRIM LEADS TO 5mm.
2. CRIMP LEAD WIRES TO LED LEADS.
3. HEAT SHRINK INSULATION, 1/16" X 12.5mm (2 PIECES).
4. ANODE: LXP-WST24RDT0C, CUT AT 150mm, STRIP 3mm & 9.5mm.
5. CATHODE: LXP-WST24BLT0C, CUT AT 150mm, STRIP 3mm & 9.5mm.

UNCONTROLLED DOCUMENT

*UNLESS OTHERWISE SPECIFIED TOLERANCES PER DECIMAL PRECISION ARE: X=±1 (±0.039), XX=±0.5 (±0.020), XXX=±0.25 (±0.010), XXXX=±0.127 (±0.005); LEAD SIZE=±0.06 (±0.002), LEAD LENGTH=±0.75 (±0.030), MIN.= +DECIMAL PRECISION -0.00, MAX.= +0.00 -DECIMAL PRECISION

REV. PART NUMBER
A SSI-LX5093GD-150

CONFIDENTIAL INFORMATION
THE INFORMATION CONTAINED IN THIS DOCUMENT IS THE PROPERTY OF LUMEX INC. EXCEPT AS SPECIFICALLY AUTHORIZED IN WRITING BY LUMEX INC, THE HOLDER OF THIS DOCUMENT SHALL KEEP ALL INFORMATION CONTAINED HEREIN CONFIDENTIAL AND SHALL PROTECT SAME IN WHOLE OR IN PART FROM DISCLOSURE AND DISSEMINATION TO ALL THIRD PARTIES.



290 E. HELEN ROAD
PALATINE, IL 60067-6976
PHONE: +1.847.359.2790
US WEB: www.lumex.com
TW WEB: www.lumex.com.tw

T-5 (T 1-3/4) LED, GREEN DIFFUSED,
6" WIRE LEADS

RELIABILITY NOTE
OUR MANY YEARS OF EXPERIENCE DATA ACCUMULATION INDICATE THAT SOLDER HEAT IS A MAJOR CAUSE OF EARLY AND FUTURE FAILURE. PLEASE PAY ATTENTION TO YOUR SOLDERING PROCESS.

DRAWN BY: JD	CHECKED BY:	APPROVED BY:	DATE: 7.19.04
			PAGE: 1 OF 1
			SCALE: N/A